

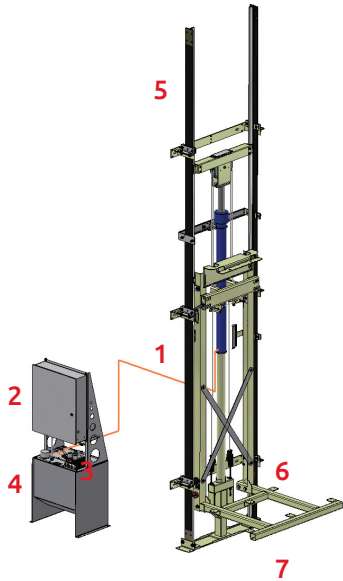


# Elvoron CPL

Vertical Platform Lift with a Full Height Cab

# Technical Information

## Drive System



1. 1:2 Cable Hydraulic Drive
2. Computerized (PLC) controller has an emergency backup power system for lowering in the event of power failure.
3. Two-speed hydraulic control valve provides smooth, comfortable starting and stopping.
4. Submersed hydraulic pump and motor ensures quiet operation.
5. Sturdy 8 lbs per foot elevator guide rail system ensures a smooth, quiet ride.
6. Heavy duty cantilevered car support sling provides capacity of up to 1,400 lbs (635 kg).
7. Recommended pit depth is 9-1/4" (235 mm). Higher capacity and wider cars require a 12" (305mm) pit depth.

## Specifications

Related Load	Standard 750 lbs (340 kg) or 1,000 lbs (455 kg). Optional 1,400 lbs (635 kg)
Speed	30 ft/min (0.15 m/s) nominal speed (USA). Optional 36 ft/min (0.18 m/s) nominal speed (Canada)
Power Supply	Elevator: Standard 208 VAC 3 phase. Optional 230 VAC single phase. Lighting: 110 VAC single phase, 15 amps
Safety Features	Emergency battery lowering. Emergency manual lowering valve. Safety brake system Automatic bi-directional floor levelling. Emergency stop and alarm button in car. Final limit switch.
Doors	Fire rated swing doors that are fitted with electro-mechanical interlocks. The doors also include a vision panel and UL listed 2-speed closer with adjustable back-check cushioning (meets ADA requirements).
Travel Range	CSA B355: 23 ft (7.0 meters), A18.1: 14ft (4.2 meters)
Code Compliance	ASME A18.1, CSA B355
Popular Options	Automatic door operators. Integrated hands free telephone. Custom car finishes. Additional handrails. Buffer springs (increases your pit depth)
Warranty	2 year standard warranty. Optional additional 5 year extended warranty (7 years)

# Wall Finishes

## Laminate



Designer White



Dove Grey



Cocoa

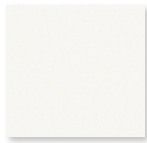


Linen

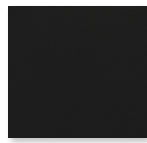


New Age Oak

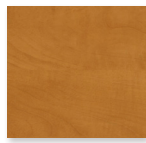
## Melamine



White



Black



Dark Maple



Gray



Coastal



Sahara

# Dimensions

## Configurations

Hoistway Length

Hoistway Width



## Hoistway Dimensions

	Style 1L & 1R		Style 2		Style 3 & 4		Style 5	
	mm	in	mm	in	mm	in	mm	in
<b>36x60 Cab (914x1524mm)</b>								
Hoistway Width	1365	53 <sup>3</sup> / <sub>4</sub>	1365	53 <sup>3</sup> / <sub>4</sub>	1381	54 <sup>3</sup> / <sub>8</sub>	1381	54 <sup>3</sup> / <sub>8</sub>
Hoistway Length	1616	63 <sup>5</sup> / <sub>8</sub>	1556	61 <sup>1</sup> / <sub>4</sub>	1680	66 <sup>1</sup> / <sub>8</sub>	1683	66 <sup>1</sup> / <sub>4</sub>
<b>42x60 Cab (1066x1524mm)</b>								
Hoistway Width	1518	59 <sup>3</sup> / <sub>4</sub>	1518	59 <sup>3</sup> / <sub>4</sub>	1534	60 <sup>3</sup> / <sub>8</sub>	1534	60 <sup>3</sup> / <sub>8</sub>
Hoistway Length	1718	67 <sup>5</sup> / <sub>8</sub>	1759	69 <sup>1</sup> / <sub>4</sub>	1781	70 <sup>1</sup> / <sub>8</sub>	1683	66 <sup>1</sup> / <sub>4</sub>
<b>48 x 60 Cab (1220x1524mm)</b>								
Hoistway Width	1670	65 <sup>3</sup> / <sub>4</sub>	1670	65 <sup>3</sup> / <sub>4</sub>	1686	66 <sup>3</sup> / <sub>8</sub>	1686	66 <sup>3</sup> / <sub>8</sub>
Hoistway Length	1718	67 <sup>5</sup> / <sub>8</sub>	1759	69 <sup>1</sup> / <sub>4</sub>	1781	70 <sup>1</sup> / <sub>8</sub>	1683	66 <sup>1</sup> / <sub>4</sub>



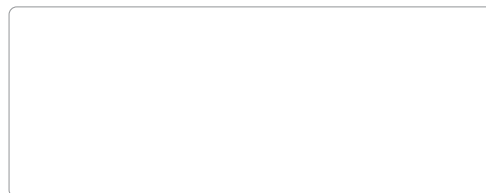
---

**Garaventa Lift**

18920 36th Avenue · Surrey, BC · V3Z 0P6 · Canada

**T** 800 663 6556 (toll free North America)

**E** [info@garaventlift.com](mailto:info@garaventlift.com) · **I** [www.garaventlift.com](http://www.garaventlift.com)



Authorized Garaventa Lift Representative

© Garaventa Lift. As we are continuously improving our products, specifications outlined in this brochure are subject to change without notice.



37158-V-PB-EN